



LIFTS AND MANIPULATORS

Lifting device is used for lifting, turning, dosing, weighting and positioning various carriers of material over the targeted devices.



General characteristics

- designed and executed according to GMP standards
- stainless steel material AISI 304 (1.4301) with suitable surface roughness $Ra < 1,2 \mu m$
- safety measures during operation (presence sensors, container type detection, photocell or laser radar)
- lifting, rotating, positioning and docking
- easy cleaning
- electrically, hydraulically or pneumatically driven
- splash water protection
- easily accessible components
- user friendly control panel
- ATEX execution

Iskra PIO produces multiple executions of lifts:

• Pillar lifts for IBCs and drums:

- automatic positioning
- automatic valve opening
- pneumatic hammer
- IBC orientation detection
- weighing scale
- ATEX execution



• Mobile lift for drums:

- picking up
- transporting
- lifting
- tilting
- positioning
- ATEX execution
- electrically / pneumatically driven



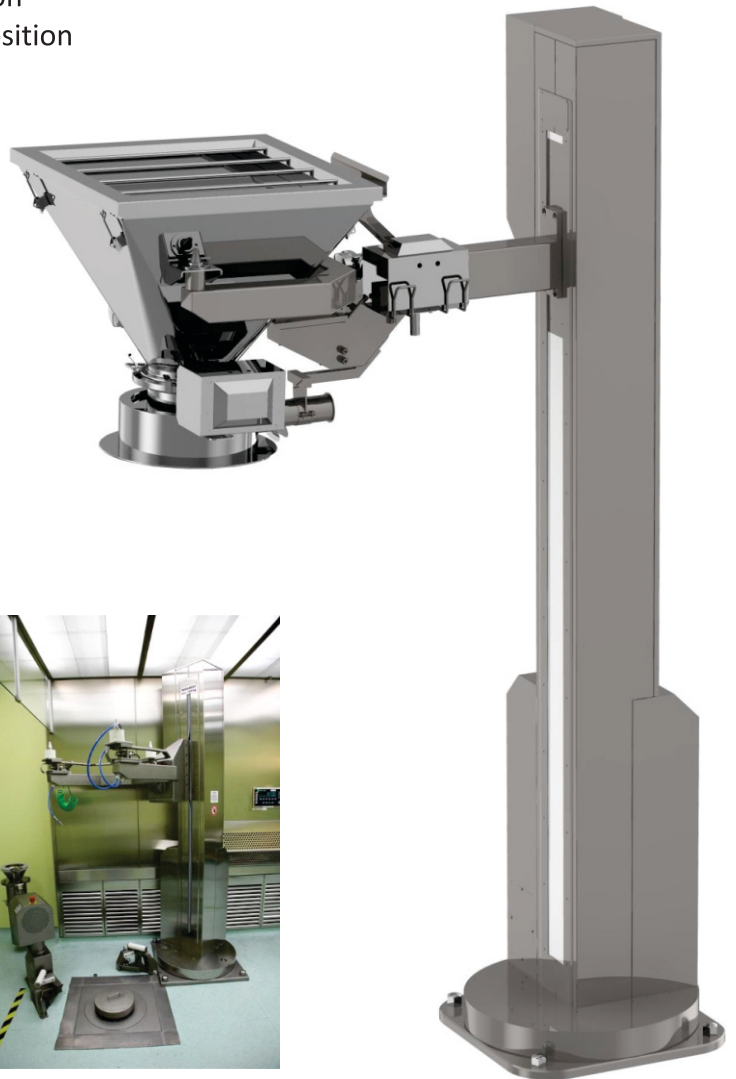
- **Hanged lifts for containers and drums:**

- for IBCs with adaptor for fixing and tilting drums
- with weighing scale
- position locking system allows work under lifted load
- free space under lift – easy cleaning and manipulation
- implementation according to customers' demands
- ATEX execution



- **Different types of manipulators that replace manual work:**

- lifting, rotating and positioning hopper on weighing position and on discharging position
- integrated weighing system
- automatic valve opening
- pneumatic el. vibrator



- implementation according to customer demands



Iskra pio d.o.o.
Industrial equipment manufacturer
Trubarjeva cesta 5
SI - 8310 ŠENTJERNEJ



Phone: +386 7 3931 400
Fax: +386 7 3931 440
E-mail: info@iskra-pio.si
Internet: www.iskra-pio.si